

SYK-20 4K 20X Optical Zoom Camera With 3-Axis Gimbal

V1.0 2023.03



FOXTECH

Description

Disclaimer

Thank you for purchasing this product. you can log in to the website for the latest product information, technical support and user manual. It is recommended that you download and use the latest version of the user manual. This manual is subject to change without notice.

You can also get product usage information or technical support through official customer service. Due to different production batches, the appearance or function parameters are slightly different and will not affect the normal use of the product.

Please read this statement carefully before using. Once used, it is deemed to be an endorsement and acceptance of the entire contents of this statement. Please read the instruction manual carefully and strictly follow the instructions in this manual to use this product. Foxtech will not be liable for any result or loss caused by improper use, installation, assembly or modification of users.

Intellectual Property

The intellectual property rights of this product and manual are owned by Foxtech. Any organization or individual may not copy, reproduce or distribute in any form without written permission. If you need to quote, you need to indicate the source, and you should not make any modifications, deletions and references to this manual.

Contents

Product Profile	1
Introduction	1
Specifications	1
Quick-Mount Structure	4
Software	5

Product Profile

Introduction

SYK-20 delivers high-bit-rate 4K images & videos at 25 fps with 20X optical zooming and 1500X hybrid zooming ability. It also supports 360° unlimited rotation and quick-mount.

20 mega pixels won't miss any details, even from hundred miles away.

Quick-mount structure makes the assembly and detaching be done within 5 s, and the universal quick-mount unit is suitable for SYK-30L, SYK-20L, SYK-20, so cameras can be changed for different missions easily.

The control method supports Ethernet control, serial port control and SBus control.

Specifications

Optical Camera

Sensor	1/2.3" CMOS
Total Pixels	20.35 MP
Video Resolution	4K@25 fps
Image Resolution	6016*3384
Optical Zoom	20X f:4.1~81.6 mm
Digital Zoom	75X
FOV	Horizontal: 70.2°~4° Vertical: 43.3°~2.3° Diagonal: 78°~4.6°
Detect Distance	Human: 1190.6 m;Car: 1564.8 m
Recognize Distance	Human: 238.1 m;Car: 313 m
Verify Distance	Human: 119.1 m;Car: 156.5 m

Video

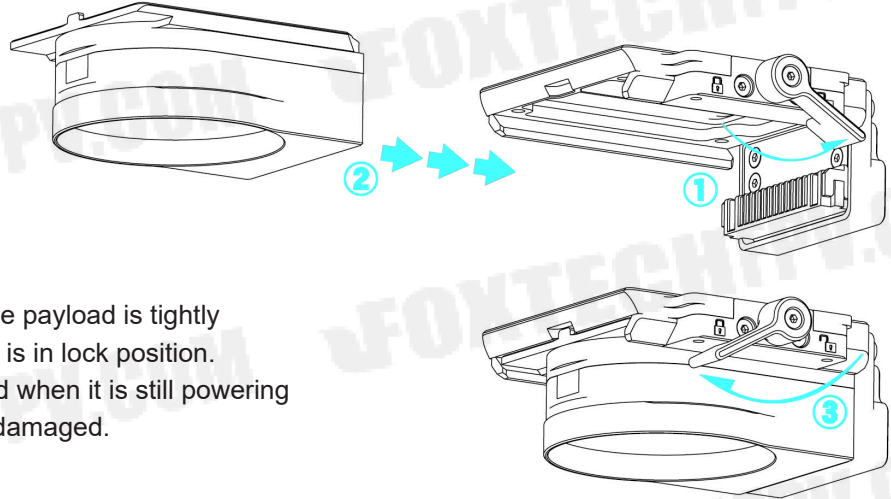
Video Compression	H.264/H.264H
Storage	SD Card(128 G Max)
Internet Protocol	RTSP,UDP,GB/T28181

Gimbal	
Stability	±0.01°
Max Control Speed	Yaw: ±200°/s Pitch: ±200°/s
Control Range	Yaw: ±360°(Unlimited) Pitch: -120°~+60°
Working Temperature	-20°C~+60°C
Storage Temperature	-20°C~+70°C
Working Humidity	≤85%RH(Non-Condensing)
Protect Level	IP43
Weight	710 g(Camera With Gimbal)/85 g(Gimbal)
Power Consumption	10 W(Average)/40 W(Max)
Power	DC 21~53 V
Control Method	Ethernet/Serial Port/SBus
Video Resolution	4K@25fps(Storage to SD Card)/1080P@30fps(Output)

Quick-Mount Structure

Mount

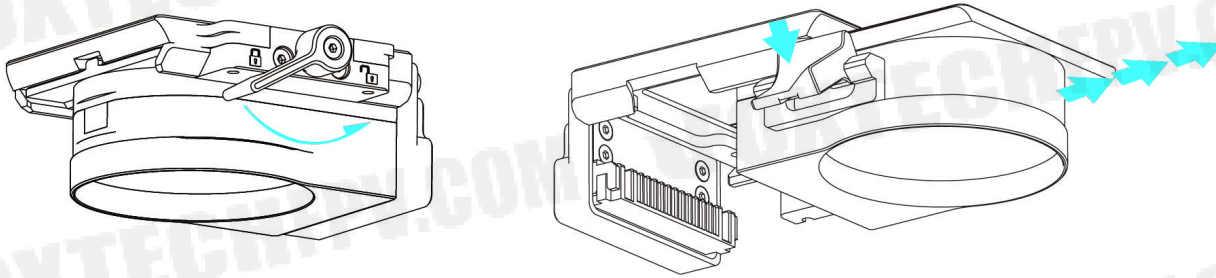
Flip the lock hook to the unlock position and push the payload into position along the rail until there is a slight Clicking sound, which indicates that it is securely in place, then flip the lock hook to lock the payload.



! Please make sure that the payload is tightly locked and the lock hook is in lock position. Donot detach the payload when it is still powering on, or the device will be damaged.

Detach

Flip the lock hook to the unlock position, press down the lock on the other side and take down the payload.



Software

Interface Introduce



- ① Pseudo color switch
- ② Laser night vision mode on/off
- ③ Laser rangefinder on/off (displayed on the menu bar above the display area)
- ④ Pic-in-pic display mode switch
- ⑤ Switch from Follow Mode to Free Mode

Software Configuration

IP Address: rtsp://192.168.1.108

This content is subject to change.

Download the latest version from

<https://www.foxtechfpv.com/syk-20-4k-20x-optical-zoom-camera-with-3-axis-gimbal.html>

For everyday updates, please follow Foxtech facebook page "Foxtechhobby".